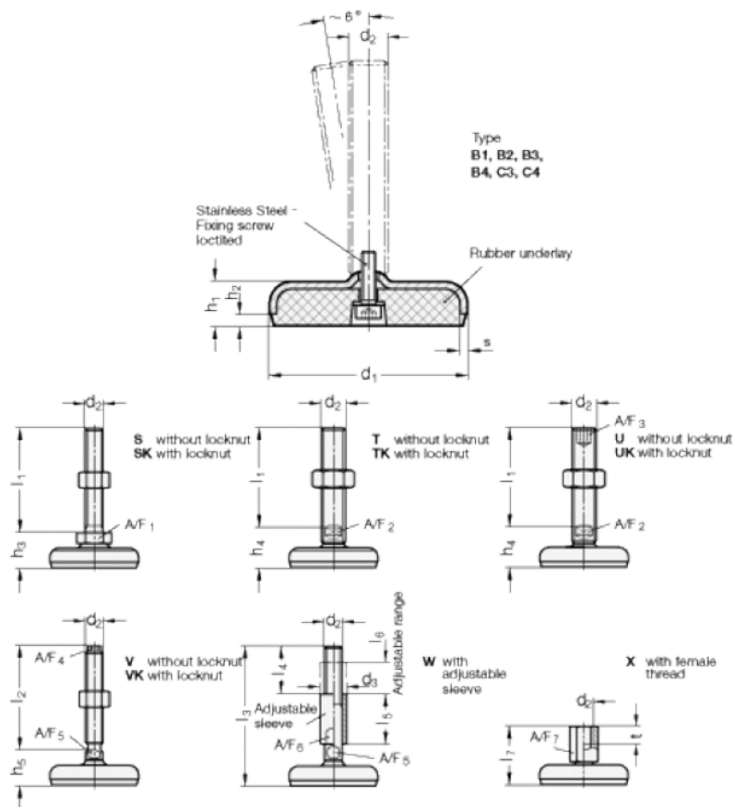


Article number: 2031100M1050B2SK
 Description: E+G levelling foot
 GN 31-100-M10-50-B2-SK
 Note: SK With nut, External hexagon at the bottom

Measures



A/F1-	= 17
d1	= 100
d2	= 10
h1	= 20
h2	= 6
h3 +4.0/0	= 28
l1	= 50
s	= 3